
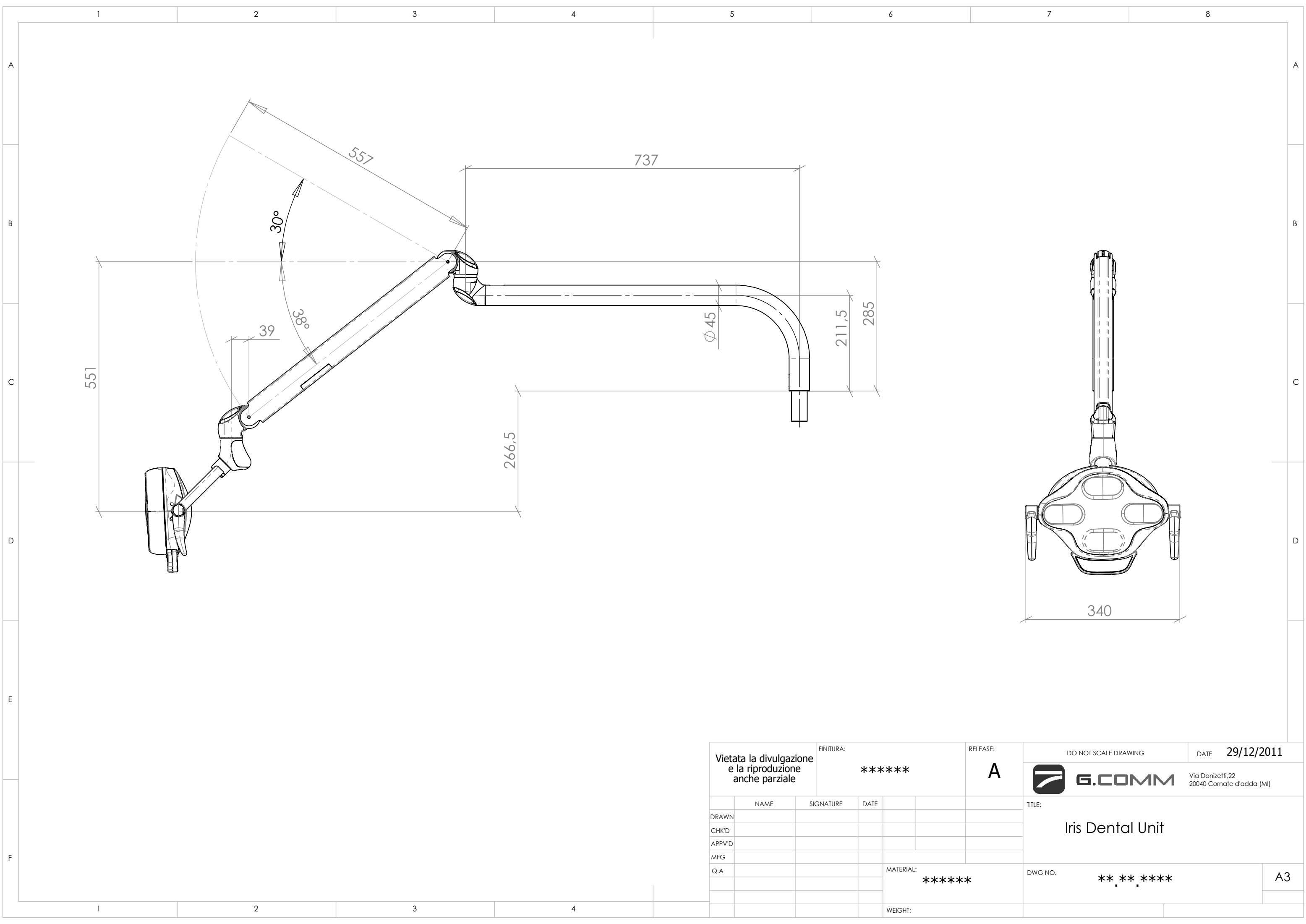



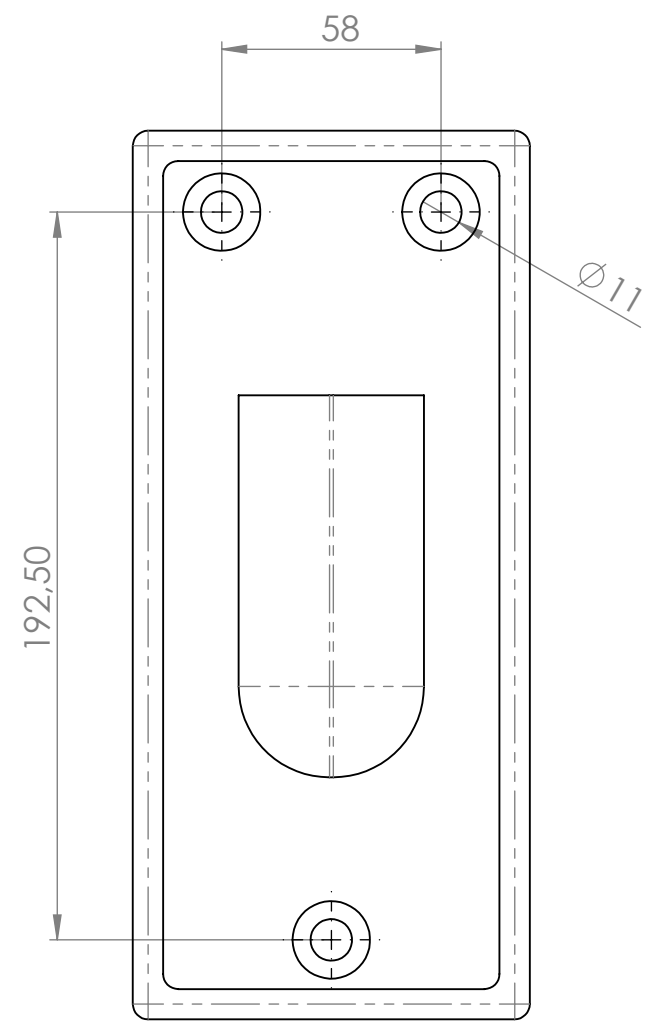
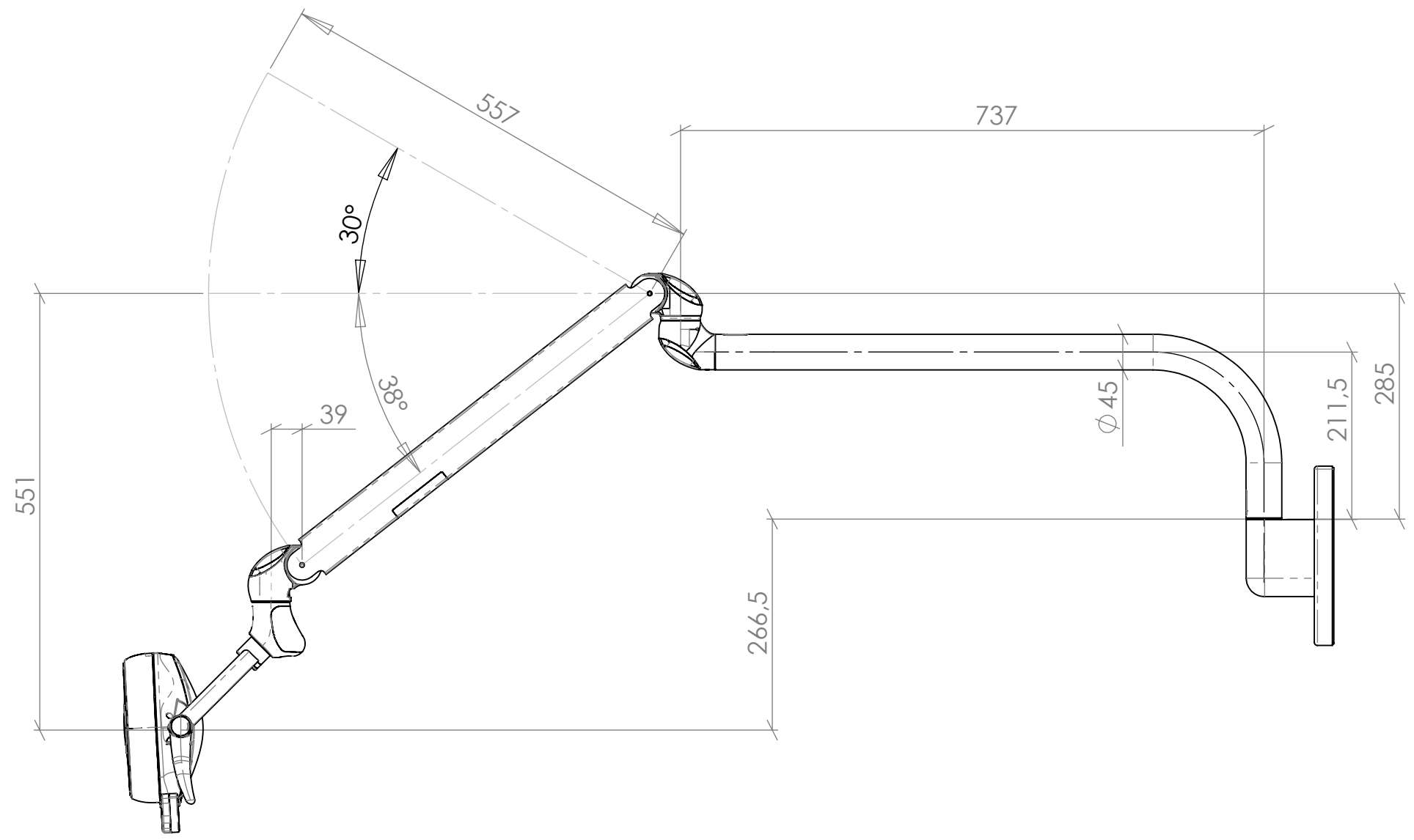
Vietata la divulgazione e la riproduzione anche parziale			FINITURA: *****		RELEASE: A		DO NOT SCALE DRAWING		DATE 29/12/2011																																													
									Via Donizetti, 22 20040 Cornate d'adda (MI)																																													
							TITLE: Iris Ceiling Mount																																															
<table border="1"> <thead> <tr> <th></th> <th>NAME</th> <th>SIGNATURE</th> <th>DATE</th> <th></th> <th></th> <th></th> </tr> </thead> <tbody> <tr> <td>DRAWN</td> <td></td> <td></td> <td></td> <td></td> <td></td> <td></td> </tr> <tr> <td>CHK'D</td> <td></td> <td></td> <td></td> <td></td> <td></td> <td></td> </tr> <tr> <td>APPV'D</td> <td></td> <td></td> <td></td> <td></td> <td></td> <td></td> </tr> <tr> <td>MFG</td> <td></td> <td></td> <td></td> <td></td> <td></td> <td></td> </tr> <tr> <td>Q.A</td> <td></td> <td></td> <td></td> <td></td> <td></td> <td></td> </tr> </tbody> </table>								NAME	SIGNATURE	DATE				DRAWN							CHK'D							APPV'D							MFG							Q.A							MATERIAL: *****		DWG NO. **.*.*.*****		A3	
	NAME	SIGNATURE	DATE																																																			
DRAWN																																																						
CHK'D																																																						
APPV'D																																																						
MFG																																																						
Q.A																																																						
							WEIGHT:																																															



Vietata la divulgazione e la riproduzione anche parziale			FINITURA: *****		RELEASE: <b>A</b>	DO NOT SCALE DRAWING	DATE <b>29/12/2011</b>
						 <b>G.COMM</b> <small>Via Donizetti, 22 20040 Cornate d'adda (MI)</small>	
					TITLE: <b>Iris Dental Unit</b>		
					DWG NO. <b>** . ** . *****</b>		<b>A3</b>
					WEIGHT:		

	NAME	SIGNATURE	DATE		
DRAWN					
CHK'D					
APPV'D					
MFG					
Q.A					





Vietata la divulgazione e la riproduzione anche parziale			FINITURA: *****		RELEASE: A	DO NOT SCALE DRAWING	DATE 29/12/2011
						 <b>G.COMM</b> <small>Via Donizetti, 22 20040 Cornate d'adda (MI)</small>	
NAME	SIGNATURE	DATE	TITLE: Iris wall mount				
DRAWN							
CHK'D							
APPV'D							
MFG							
Q.A			MATERIAL: *****		DWG NO. **.*.*.*****		
			WEIGHT:				

A3