

VISION

DENTAL OPERATING LIGHT



FEATURES



A LONG HISTORY OF QUALITY AND VERSATILITY

The operating light VISION it's on the market since 20 years, with excellent results. Simple as functional, thanks to the coated reflector glass guarantees a light pattern without shadows and imperfections was well as a cold white light.

Available in three versions:

- Vision Switch : allows to choose the needed light intensity at 15000 or 25000 lux
- Vision with Potentiometer : the progressive regulation between 15000 and 25000 lux allows to select the light intensity more suitable for dentist needs
- Vision with Optical Sensor : in order to fulfil the sanitary regulations, this model allows to switch on-off the light just passing one hand

Switch



With potentiometer

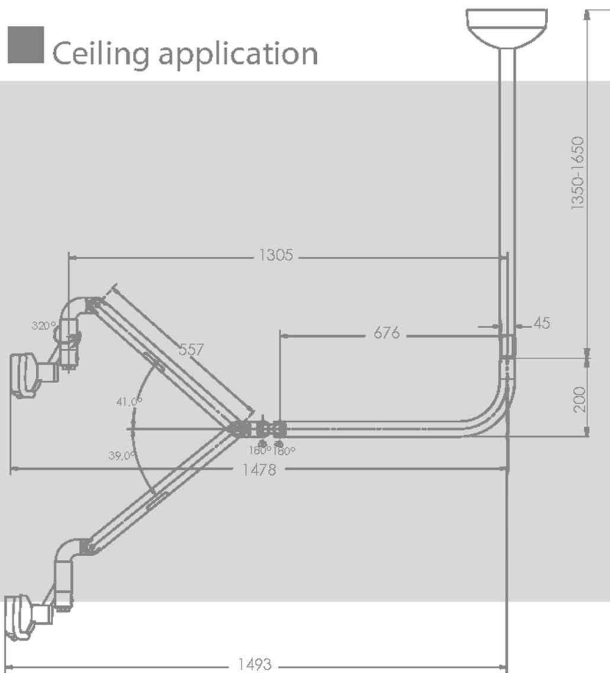


Sensomatic



TECHNIC

Ceiling application



TECHNICAL FEATURES



Power supply: 10.5/13 V switch and sensor
17/24 V with potentiometer
17 with sensor

Light intensity: 15.000-25.000 lux

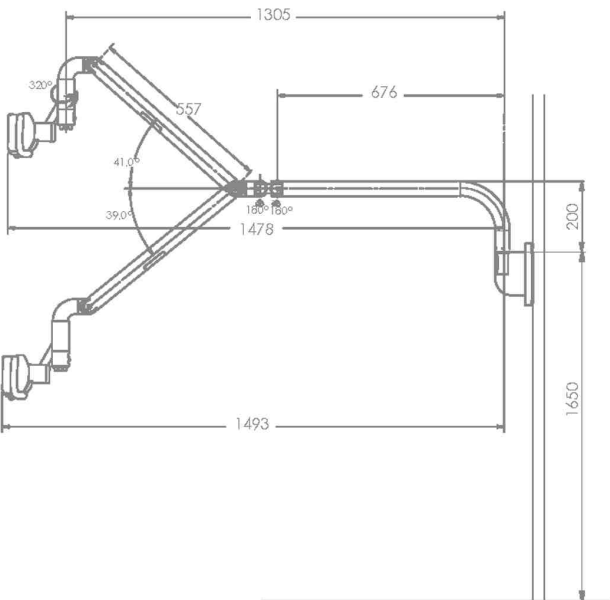
Color temperature: 4.500 K

Bulb: tungsten halogen type H-star 12V 50W Low pressure

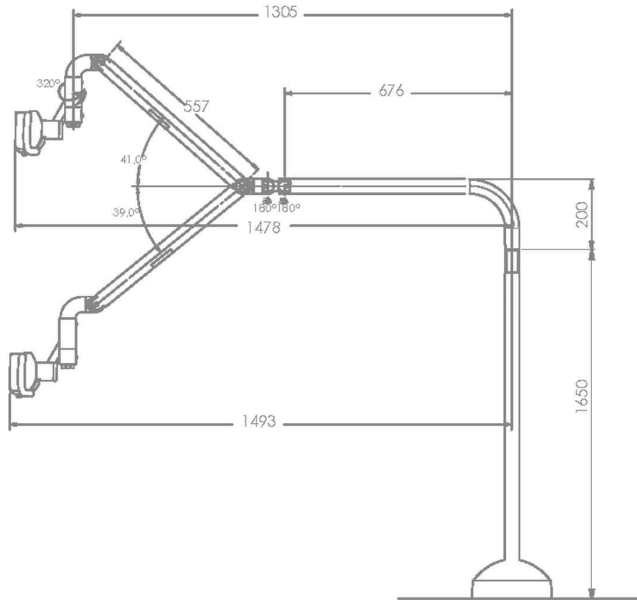
Light pattern: 100 x 200 mm

The light has been positively tested and has a IMQ certification.
Technical features have a tolerance of +/- 10%

Wall application



Floor application



VIS

G.Comm S.r.l.

Via Donizetti, 22

20872 Cornate d'Adda (MB) Italy

T +39 039 60 60 420

F +39 039 69 26 991

info@gcomm-online.com

www.gcomm-online.com